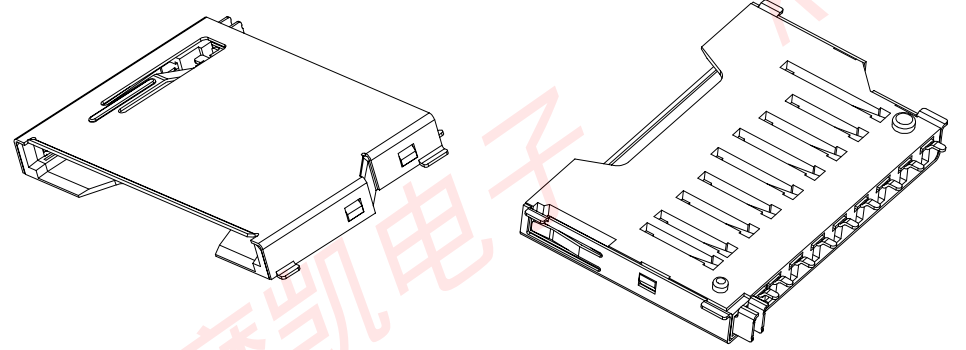
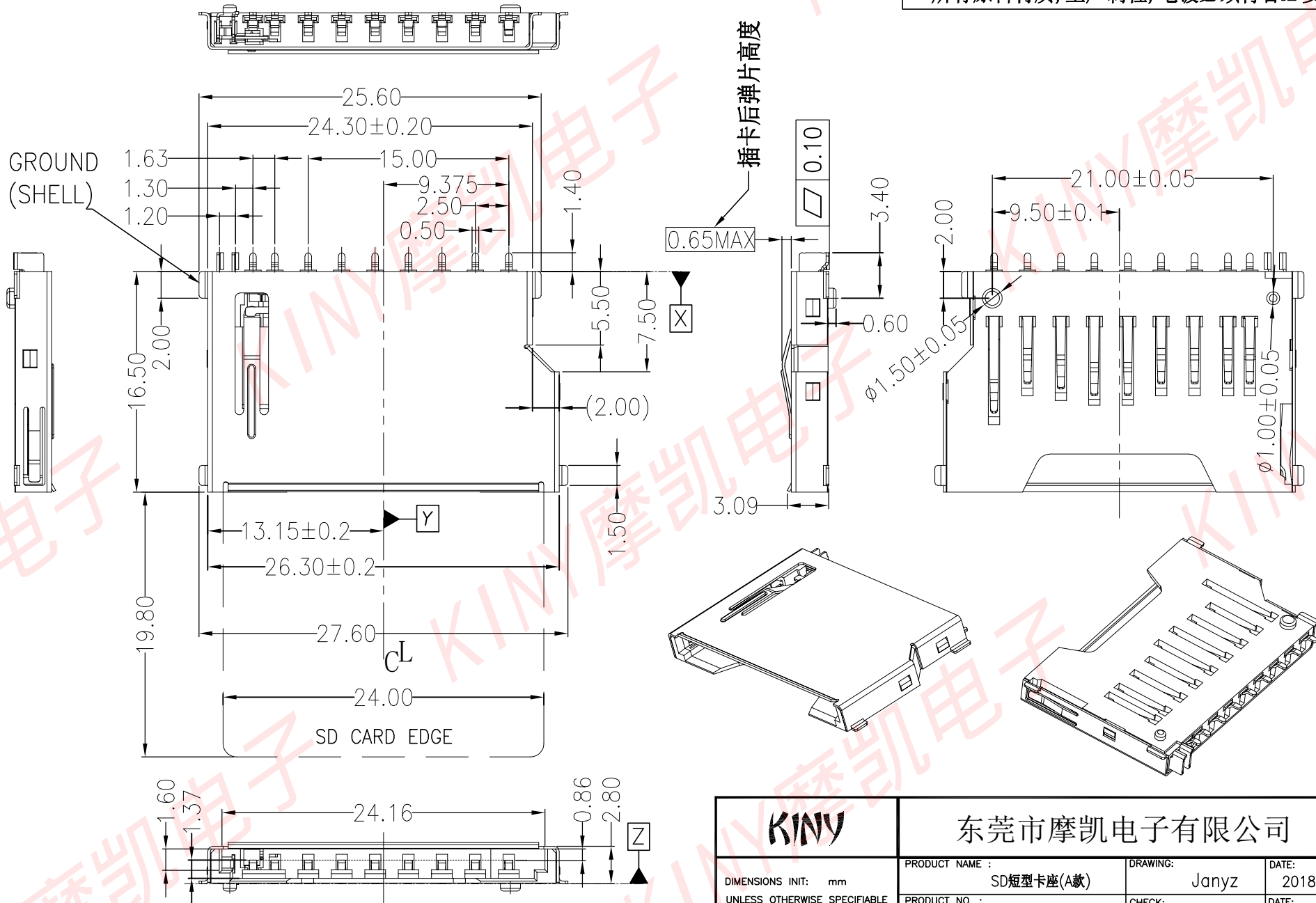


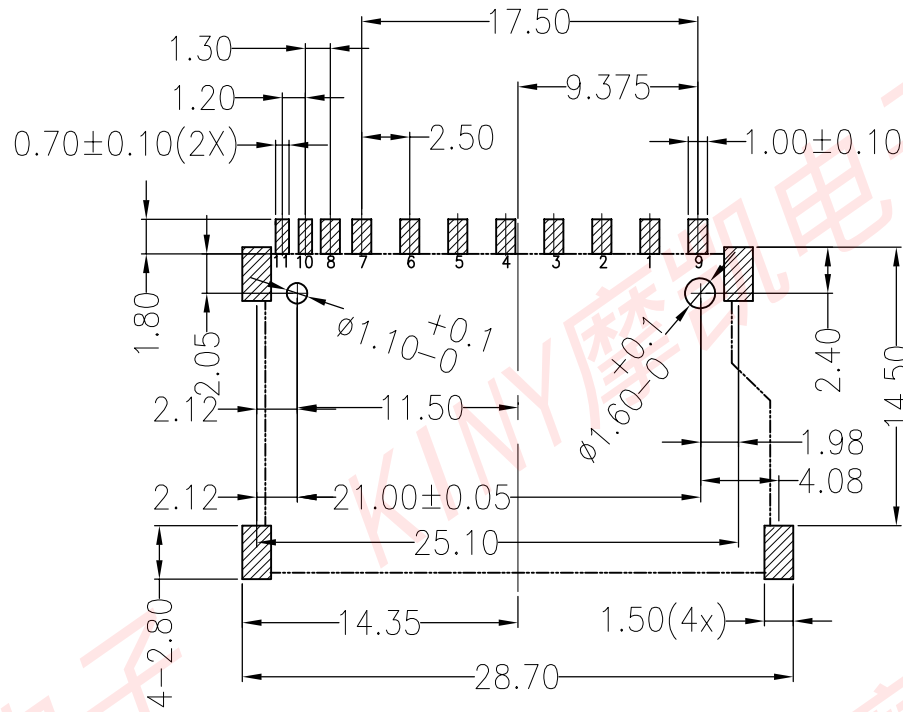
\* 所有原料材质, 生产制程, 电镀必须符合HF要求



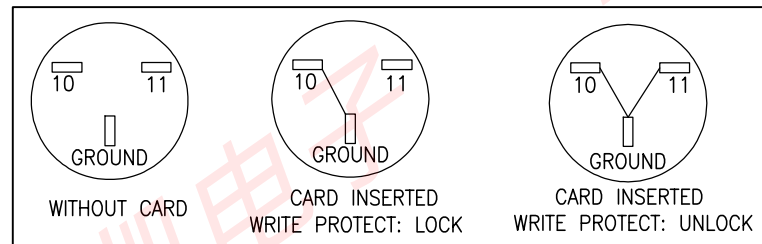
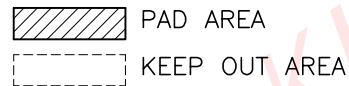
	东莞市摩凯电子有限公司				
	DIMENSIONS INIT: mm		PRODUCT NAME : SD短型卡座(A款)	DRAWING: Janyz	DATE: 2018.11.22
	UNLESS OTHERWISE SPECIFIABLE		PRODUCT NO. : SDD-T1250-08	CHECK: Alex	DATE: 2018.11.22
	DRAWING NO. : D-SDD-T1250-08		APPROVED: Alex	DATE: 2018.11.22	
DIMENSION TOLERANCE X.X: ± 0.38 X.XX: ± 0.25 X.XXX: ± 0.15 ANGULAR: ± 3°		SCALE: 1:1	DWG ID: C D	REV.: B	PAGE: 1 of 2

B	ECN20181121001	单边卡点加高, 另增加让槽	Janyz	2018.11.22
REVISION NO.	ECR NO.	DESCRIPTION	MARK	DATE

\* 所有原料材质, 生产制程, 电镀必须符合HF要求



RECOMMEND P.C.B LAYOUT  
(General tolerance  $\pm 0.05$ )



SD CARD PIN DESIGN

PIN NO.	NAME	DESCRIPTION
1#	CD/DAT3	CARD DETECT/DATA I/O
2#	CMD	COMMAND
3#	VSS1	GROUND
4#	VDD	POWER
5#	CLK	CLOCK
6#	VSS2	GROUND
7#	DAT0	DATA I/O
8#	DAT1	DATA I/O
9#	DAT2	DATA I/O
10#	CD	
11#	WP	

NOTES :

- Material:
  - Insulator: High Temperature Thermoplastic, (LCP, E130i), UL Black 94V-0.
  - Contact: Phosphor Bronze (C5191-EH, T=0.20±0.03mm)
  - Shell: C2680R-H, T=0.2±0.03mm
- Plating:
  - Contact: Plated 50u"min Ni Overall  
Plated 1u"min Au Selective Contact Area  
Plated 80u"min Sn over Ni on solder area
  - Shell: Plated 50u"min Ni Overall
- Property:
  - Current Rating :0.5A AC/DC
  - Voltage Rating :250VRMS
  - Dielectric Withstanding Voltage: AC 500V r.m.s.
  - Insulation Resistance: 1000MΩ minimum.
  - Contact Resistance: 100mΩ maximum
  - Insertion Force: 10N Max
  - Separation Force: 2N Min
  - Operating Temperature: -25°C~90°C
- Part Must Comply HF WD-3-I-091 Specification.
- Recommending A Metal More Than 0.15mm Thick. Please Confirm Solderability, IF Use A Metal Mask Less Than 0.15mm Thick.
- Packing Specification NO: P-9A212.

**KINY**

东莞市摩凯电子有限公司

DIMENSIONS INIT: mm  
UNLESS OTHERWISE SPECIFIABLE

DIMENSION	TOLERANCE
X.X: ±	0.38
X.XX: ±	0.25
X.XXX: ±	0.15
ANGULAR: ±	3'

PRODUCT NAME : SD短型卡座(A款)	DRAWING: Janyz	DATE: 2018.11.22
PRODUCT NO. : SDD-T1250-08	CHECK: Alex	DATE: 2018.11.22
DRAWING NO. : D-SDD-T1250-08	APPROVED: Alex	DATE: 2018.11.22
SCALE: 1:1	DWG ID: C D	REV.: B
		PAGE: 2 of 2

B	ECN20181121001	单边卡点加高, 另增加让槽	Janyz	2018.11.22
REVISION NO.	ECR NO.	DESCRIPTION	MARK	DATE

1

2

3

4

5

6