

* 所有原料材质, 生产制程, 电镀必须符合IPC要求

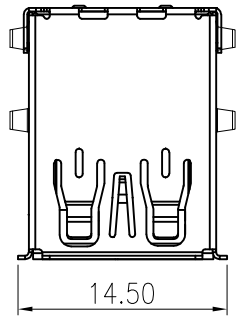
NOTE:

A. MATERIAL:

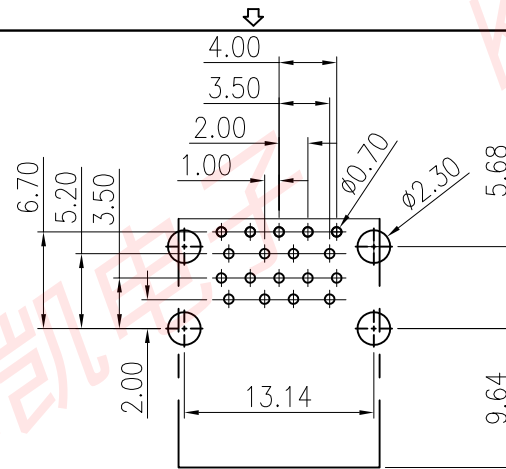
1. Housing: PA66/PBT UL94V-0 Blue
2. Cover: PA66/PBT UL94V-0 Blue
3. Contact: Copper Alloy
4. Shell: SUS201
5. Middle Spring: SUS201

B. PLATING:

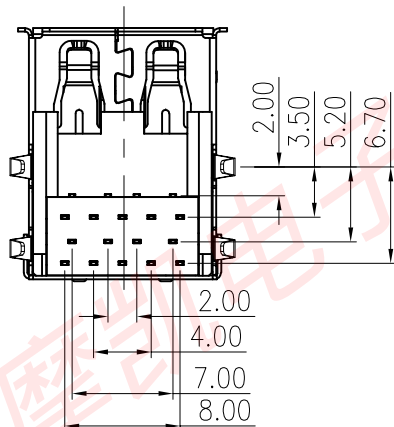
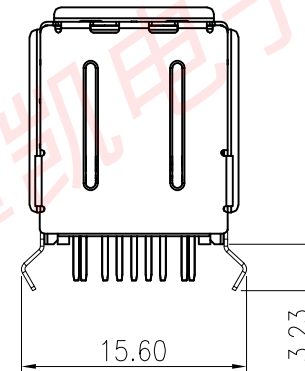
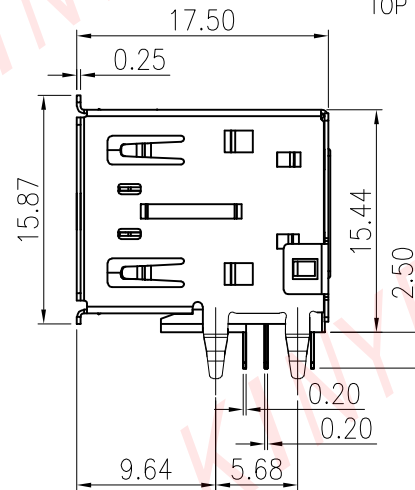
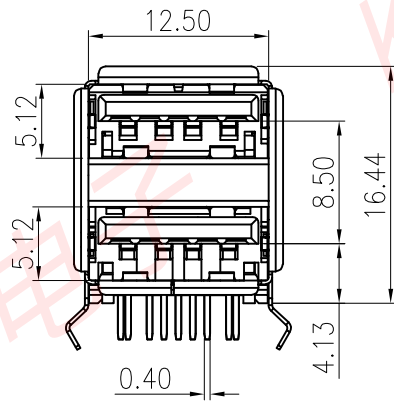
1. Contact: Contact Area Gold Plated
Solder Area Sn(80u"Min) Plated
Under Plated Nickel(45u"Min)
2. Shell: Nickel(40u"Min) Plated



14.50



RECOMMENDED P.C.B HOLE LAYOUT
TOP VIEW(TOLERANCE:±0.05)



KINY

东莞市摩凯电子有限公司

DIMENSIONS INIT: mm
UNLESS OTHERWISE SPECIFIABLE

DIMENSION	TOLERANCE
X.X: ±	0.35
X.XX: ±	0.20
X.XXX: ±	0.10
ANGULAR: ±	2'

PRODUCT NAME : 双层USB 3.0 90度 DIP	DRAWING: FAJI	DATE: 2016.07.08
PRODUCT NO. : USB18-D1240-02	CHECK: Alex	DATE: 2016.07.08
DRAWING NO. : D-USB18-D1240-02	APPROVED: Alex	DATE: 2016.07.08
SCALE: 1:1	DWG ID: C D	REV.: A
		PAGE: 1 OF 1

A	---	NEW RELEASE	FAJI	2016.07.08
REVISION NO.	ECR NO.	DESCRIPTION	MARK	DATE
1				