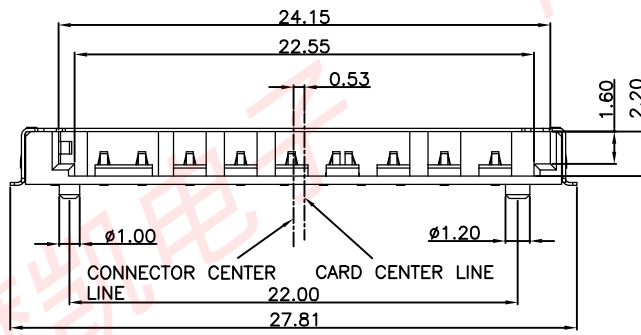
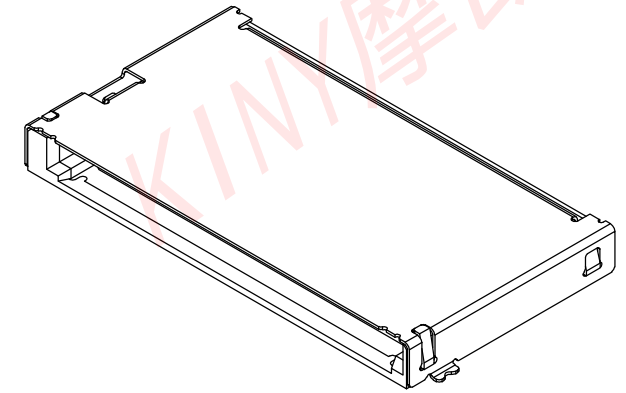
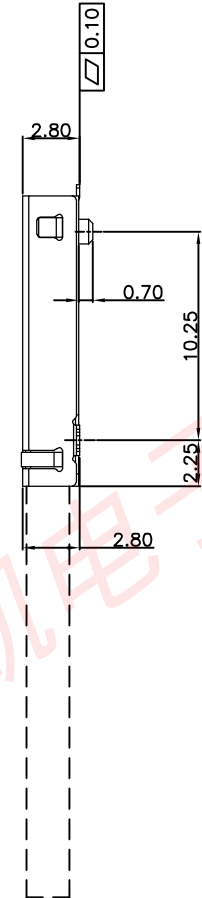
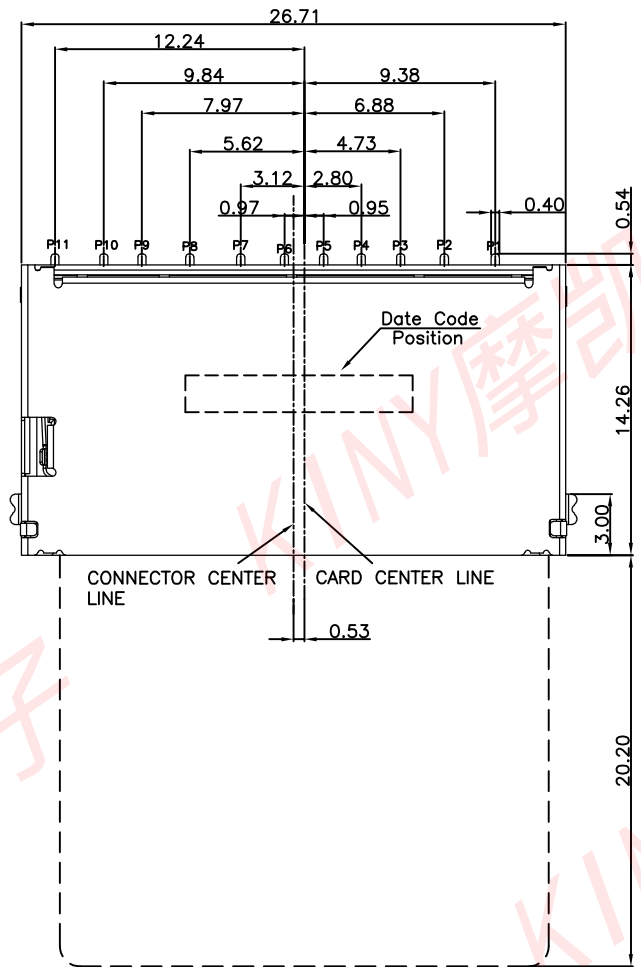


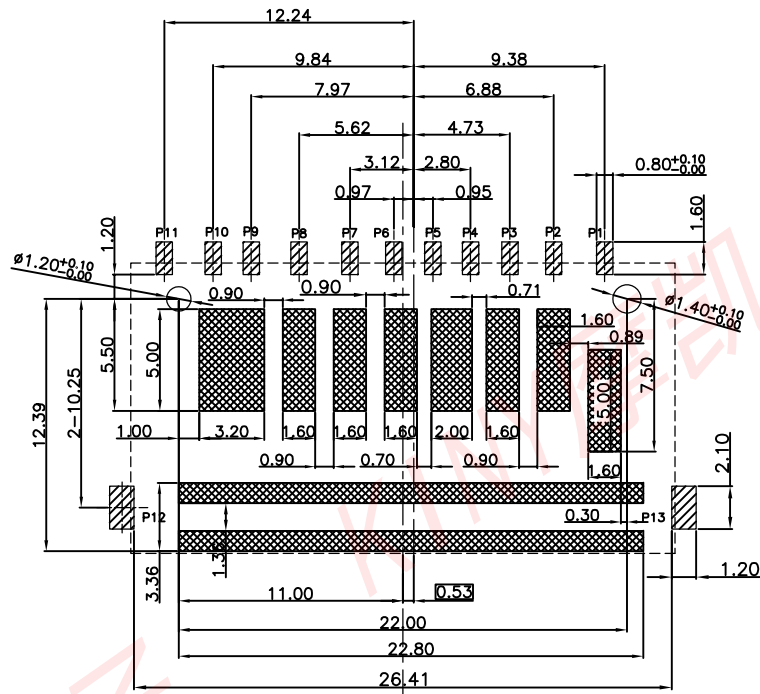
* 所有原料材质, 生产制程, 电镀必须符合HF要求



		东莞市摩凯电子有限公司			
		PRODUCT NAME : SD SHORT SMT TYPE H=2.80mm	DRAWING: Jack	DATE: 2016.12.25	
DIMENSIONS INIT: mm UNLESS OTHERWISE SPECIFIABLE		PRODUCT NO. : SDE-T1250-21	CHECK: Alex	DATE: 2016.12.25	
DIMENSION TOLERANCE X.X: ± 0.38 X.XX: ± 0.25 X.XXX: ± 0.10 ANGULAR: ± 3°		DRAWING NO. : D-SDE-T1250-21	APPROVED: Alex	DATE: 2016.12.25	
A REVISION NO.		1:1 SCALE:		DWG ID: P D	REV.: A
1 ECR NO.		2 DESCRIPTION NEW RELEASE		3 MARK ping	4 DATE 2016.12.25
5 PAGE:		6 PAGE:		1 OF 2	

A		NEW RELEASE		ping		2016.12.25	
1	ECR NO.	2	DESCRIPTION	3	MARK	4	DATE

* 所有原料材质, 生产制程, 电镀必须符合HF要求



RECOMMEND P.C.B LAYOUT
TOLERANCE ± 0.05

PAD

No trace , no test point,
no via hole, no ground area

WITHOUT CARD	CARD INSERTED:LOCK	CARD INSERTED:UNLOCK
W/P GND 	W/P GND 	W/P GND
C/D VSS1 P3 	C/D VSS1 P3 	C/D VSS1 P3

Pin Define

Connector Pin No.	SD Card Pin No.	Pin Define
P1	P9	DAT2
P2	P1	DAT3
P3	P2	CMD
P4		CD
P5	P3	VSS1
P6	P4	VDD
P7	P5	CLK
P8	P6	VSS2
P9	P7	DATO
P10	P8	DAT1
P11		W/P
P12~P13		GND

Specification

*Electrical Characteristics:

Contact Current Rating:0.5 Amperes.
Dielectric Withstanding Voltage:AC500V r.m.s.
Insulation Resistance:1000 MΩ Minimum.
Contact Resistance:100 mΩ Maximum.

*Environmental:

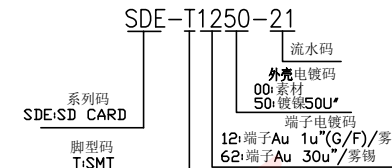
Operating Temperature:-25°C~+85°C.

*Mechanical Characteristics:

Mating Cycles:10,000 Cycles Insertion/Extraction
Card Push Insertion/Out Force:1kgf Maximum.
Contact Retention Force:0.15kgf Minimum.

*Material:

Insulator:HI-Temp Plastic UL 94V-0 Rated.
Contact:Copper Alloy.
Shell:Stainless Steel.



KINNY

东莞市摩凯电子有限公司

DIMENSIONS INIT: mm
UNLESS OTHERWISE SPECIFIABLE
DIMENSION TOLERANCE
X.X: ± 0.38
X.XX: ± 0.25
X.XXX: ± 0.10
ANGULAR: $\pm 3'$

PRODUCT NAME : SD SHORT SMT TYPE H=2.80mm	DRAWING: Jack	DATE: 2016.12.25
PRODUCT NO. : SDE-T1250-21	CHECK: Alex	DATE: 2016.12.25
DRAWING NO. : D-SDE-T1250-21	APPROVED: Alex	DATE: 2016.12.25
SCALE: 1:1	DWG ID: P D	REV.: A
		PAGE: 2 OF 2

A	-----	NEW RELEASE	ping	2016.12.25
REVISION NO.	ECR NO.	DESCRIPTION	MARK	DATE
1		2	3	4