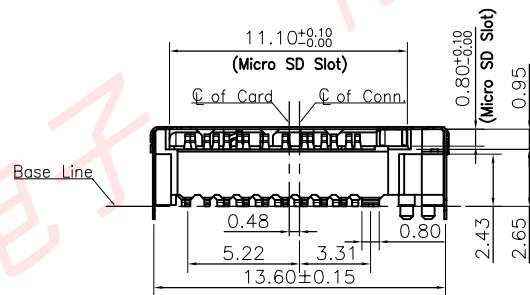
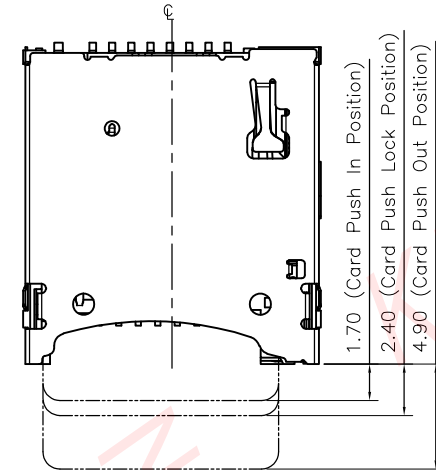
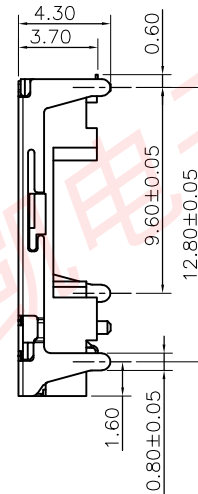
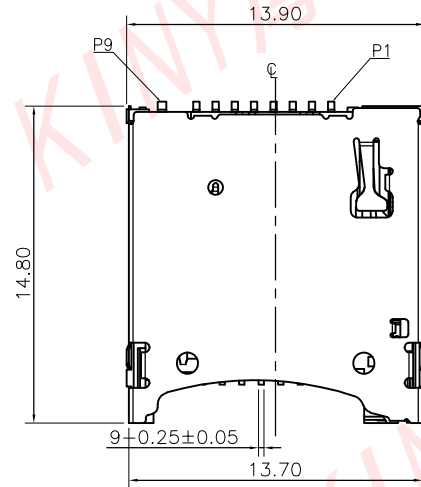
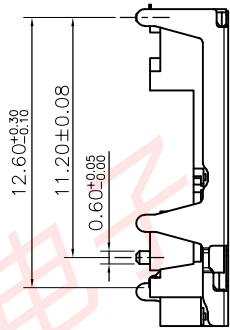
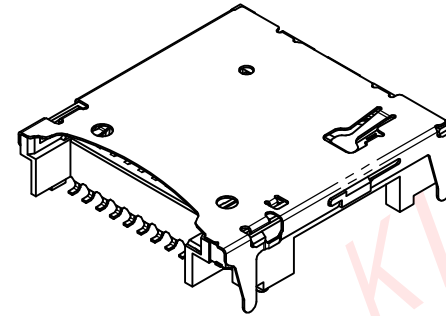
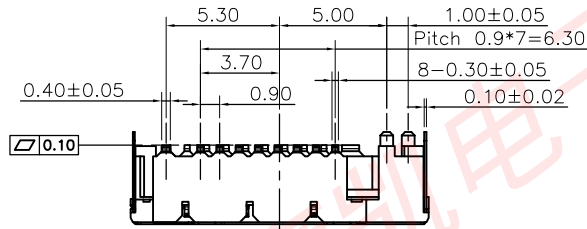


* 所有原料材质, 生产制程, 电镀必须符合H要求



KINY

东莞市摩凯电子有限公司

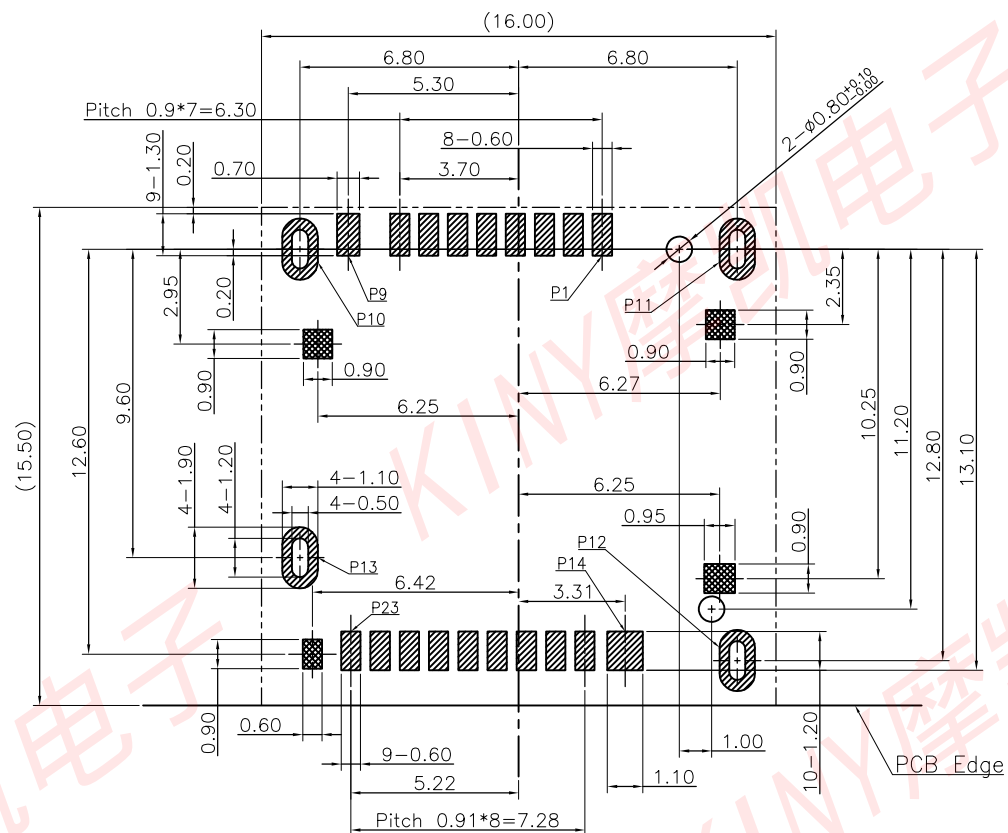
DIMENSIONS INIT: mm
UNLESS OTHERWISE SPECIFIABLE
DIMENSION TOLERANCE
X.X: ± 0.35
X.XX: ± 0.20
X.XXX: ± 0.10
ANGULAR: ± 2'

PRODUCT NAME : MicroSD 4.0 Standoff 2.43 push-push	DRAWING: Jack	DATE: 2020.04.03
PRODUCT NO. : MS370-D1150-11	CHECK: Alex	DATE: 2020.04.03
DRAWING NO. : D-MS370-D1150-11	APPROVED: Alex	DATE: 2020.04.03
SCALE: 1:1	DWG ID: C D	REV.: A
		PAGE: 1 OF 2

A	----	PRE-RELEASE	Alexander	2020.04.03
REVISION NO.	ECR NO.	DESCRIPTION	MARK	DATE
1		2	3	4

A
B
C
D
E
F

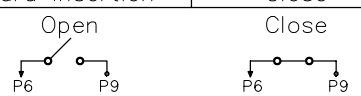
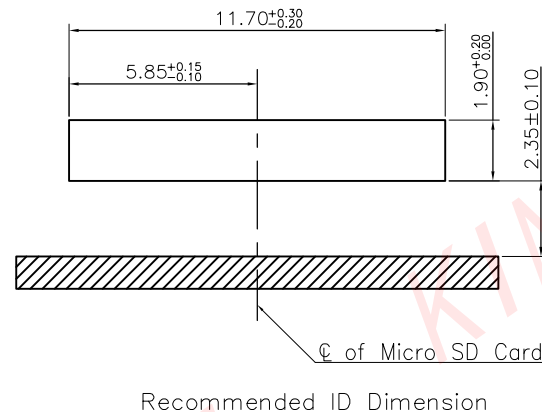
* 所有原材料, 生产制程, 电镀必须符合H要求



Recommended PCB Layout
Top View (Tolerance 0.05)

-  Pad Area
-  Other Component Keepout Area
-  Red Gluing Area

	Card Detect Switch
Card Uninsertion	Open
Card Half Insertion	Open
Card Insertion	Close
	Open
	Close

Pin No.	Pin Assignment
P1	Micro SD DAT2
P2	Micro SD CD/DAT3
P3	Micro SD CMD
P4	Micro SD VDD1
P5	Micro SD CLK
P6	Micro SD VSS
P7	Micro SD DAT0/RCLK+
P8	Micro SD DAT1/RCLK-
P9	Micro SD CD
P10	GND
P11	GND
P12	GND
P13	GND
P14	GND
P15	Micro SD VDD2
P16	Micro SD SWIO
P17	Micro SD VSS
P18	Micro SD DO+
P19	Micro SD DO-
P20	Micro SD VSS
P21	Micro SD D1-
P22	Micro SD D1+
P23	Micro SD VSS

Note:

- Material:
 - 1-1. Plastic: LCP, S470, Black, UL94V-0
 - 1-2. Contact: C5210-H
 - 1-3. Shell: SUS304-H
- Plating:
 - 2-1. Contact:
 - Contact Area: Au 1μ" min. Plating Over Ni 50μ" min.
 - Soldertail: Gold Flash Plating Over Ni 50μ" min.
 - 2-2. Shell:
 - Solderability Ni 50μ" min. Over All
- Contact And Tail Coplanarity To Be 0.10mm max.

KINY		东莞市摩凯电子有限公司							
DIMENSIONS INIT: mm UNLESS OTHERWISE SPECIFIABLE DIMENSION TOLERANCE X.X: ± 0.35 X.XX: ± 0.20 X.XXX: ± 0.10 ANGULAR: ± 2'	PRODUCT NAME :	MicroSD 4.0 Standoff 2.43 push-push	DRAWING:	Jack	DATE:	2020.04.03			
	PRODUCT NO. :	MS370-D1150-11	CHECK:	Alex	DATE:	2020.04.03			
	DRAWING NO. :	D-MS370-D1150-11	APPROVED:	Alex	DATE:	2020.04.03			
			SCALE:	1.5:1	DWG ID:	C D	REV.:	A	PAGE:

REVISION NO.	ECR NO.	DESCRIPTION	MARK	DATE
A	----	NEW RELEASE	Alexander	2020.04.03
1				