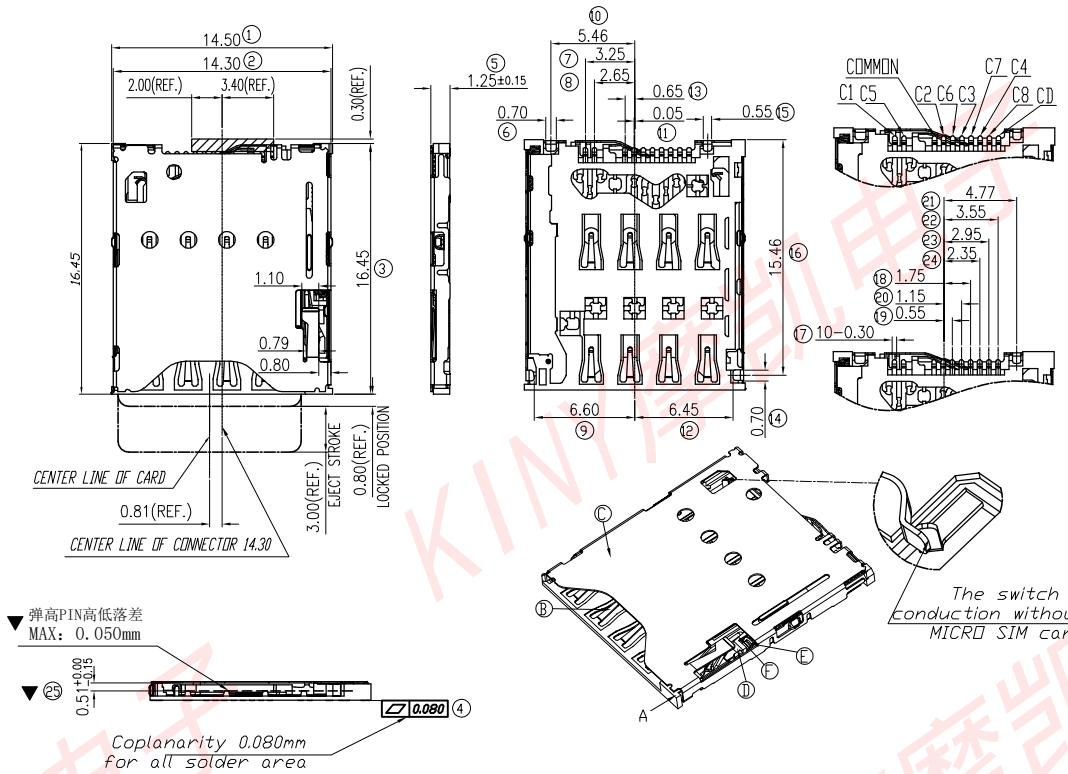


* 所有原料材质, 生产制程, 电镀必须符合H要求



SPECIFICATIONS:

1. ELECTRICAL CHARACTERISTICS:

1-1. CURRENT RATING: 1A
 1-2. CONTACT RESISTANCE:
 1-2-1. 100mΩ MAX. (INITIAL) (FOR C1/C2/C3/C4/C5/C6/C7/C8)
 1-2-2. 500mΩ MAX. (INITIAL) (FOR CD/COMMON)
 1-3. DIELECTRIC WITHSTANDING VOLTAGE: 500V AC FOR ONE MINUTE.
 1-4. INSULATION RESISTANCE: 100MΩ MIN. BY 500V DC.

2. MECHANICAL CHARACTERISTICS:

2-1. LIFE TEST: 5000 CYCLES MIN.

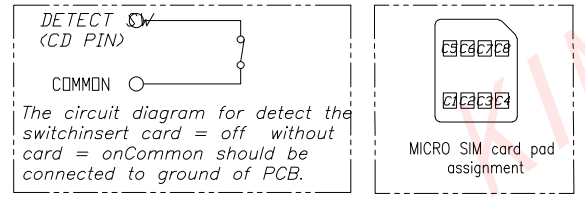
3. ENVIRONMENTAL CHARACTERISTICS:

3-1. SALT MIST TEST CONDITION: PER IEC 68-2-52, SEVERITY(3)
 3-2. OPERATING TEMPERATURE: -30°~+80°
 3-3. TO CONFORM TO SINGATRON HAZARDOUS SUBSTANCE FREE SPEC.
 3-4. RoHS COMPLIANT PRODUCT.
 3-5. HALOGEN FREE PRODUCT IDENTIFICATION MARK:
 3-6. HALOGEN FREE PRODUCT IDENTIFICATION LABEL ON PACKAGING;

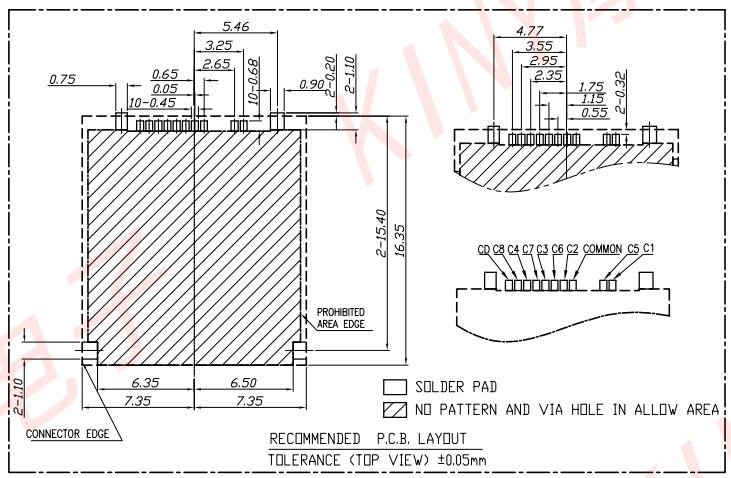
4. OTHER GENERAL SPEC. TO REFER "2SM2019 SERIES SPEC."

5. FOR REFLOW SOLDERING LEAD-FREE PROCESS.

6. PACKAGING: TAPE & REEL.



PIN NO.	PIN ASSIGNMENT
C1	SUPPLY VOLTAGE(VCC)
C2	RESET(RST)
C3	CLOCK(CLK)
C4	RESERVED FOR FUTURE USE(RFU)
C5	GROUND(GND)
C6	PROGRAMMING VOLTAGE(VPP)
C7	I/O
C8	RESERVED FOR FUTURE USE(RFU)



ITEM	DESCRIPTION	QTY	MATERIAL	REMARKS
F	LINK	1	STAINLESS STEEL T=0.10	N/A
E	SPRING	1	SWP	NICKEL PLATING
D	SLIDE	1	HIGH TEMP.THERMOPLASTIC,UL94V-0 AND STAINLESS STEEL	BLACK
C	SHELL	1	SUS 301 1/2H T=0.1	NICKEL PLATING
B	CONTACT	1	C5210 EH T=0.10 4SM2019-002002	3μ GOLD PLATING UNCONTACT AREA AND SOLDER AREA ,50μ MIN
A	HOUSING	1	LCP+35%GF S475 UL94V-0	NICKEL UNDER PLATING BLACK

	东莞市摩凯电子有限公司			
	DIMENSIONS INIT: mm	PRODUCT NAME : MICRO SIM HL 25 (无LOGO)	DRAWING: Pure	DATE: 2019.06.21
	UNLESS OTHERWISE SPECIFIABLE	PRODUCT NO. : MS125-T1161-21	CHECK: Alex	DATE: 2019.06.21
	DIMENSION TOLERANCE	DRAWING NO. : D-MS125-T1161-21	APPROVED: Alex	DATE: 2019.06.21
X.X: ± 0.20 X.XX: ± 0.10 X.XXX: ± 0.05 ANGULAR: ± 2'			SCALE: 1:1	DWG ID: C D
A ER2008118 REVISION NO. ECR NO.	NEW RELEASE DESCRIPTION	Pure MARK	2019.06.21 DATE	REV.: A PAGE: 1 OF 1