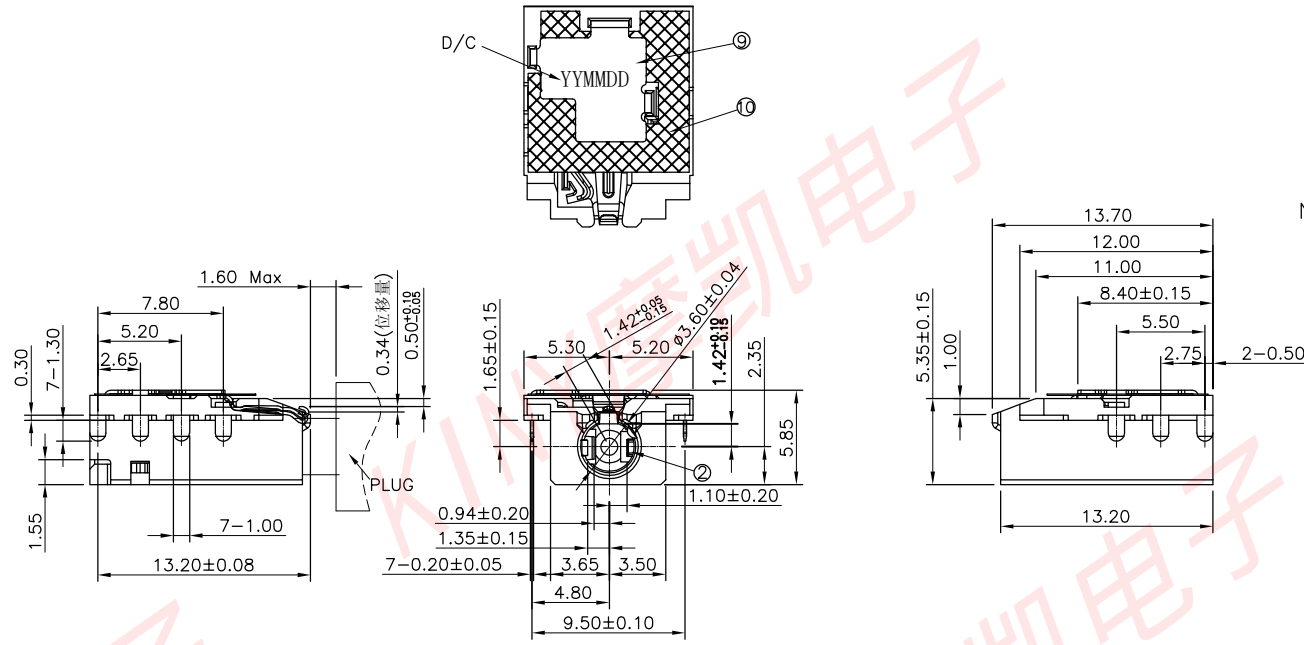
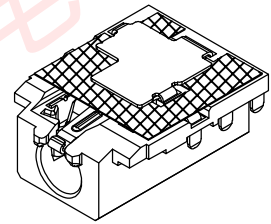


* 所有原材料, 生产制程, 电镀必须符合H要求

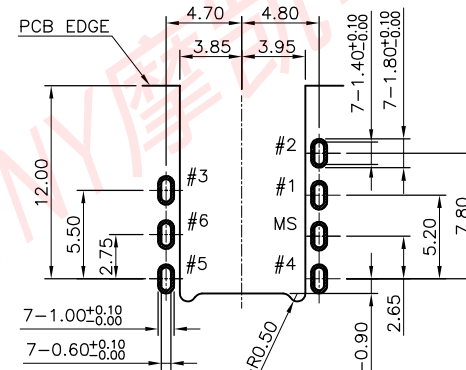
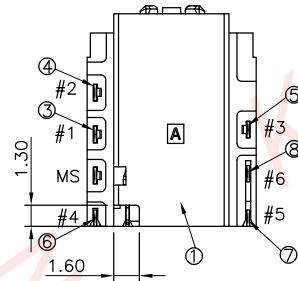


NOTES:

1. MATERIAL: SEE "TABLE 1";
2. FINISH: SEE "TABLE 1";
3. ELECTRICAL:
 - 3.1. VOLTAGE RATING: 12 VAC RMS;
 - 3.2. CURRENT RATING: 1 AMP;
 - 3.3. CONTACT RESISTANCE: 50mΩ Max.(Initial), 100mΩ Max.(After Life test);
 - 3.4. INSULATION RESISTANCE: 100 MΩ Min., 500VDC.(Initial),
 - 3.5. WITHSTAND VOLTAGE: 500 VAC RMS 50(60)Hz, 1 minute;
4. MECHANICAL:
 - 4.1. MATING FORCE: 0.3-3.0Kgf;
 - 4.2. UNMATING FORCE: 0.3-3.0Kgf;
 - 4.3. OPERATING LIFE: 5000 CYCLES MIN.;
5. ENVIRONMENTAL:
 - 5.1. OPERATION: -30°C~+80°C.



3D VIEW



RECOMMENDED PCB LAYOUT
TOP VIEW (TOL:±0.05)

Ø3.5 4-POLE PLUG SPEC (TOL:±0.05)		SCHEMATIC		AFTER INSERT PLUG	
① MYLAR	1	KAPTON+GLUE	BROWN	T=0.08mm	
② SHELL	1	Stainless steel	ALL OVER Ni 50u" MIN	T=0.20mm	
③ MAKE	⑥	PHOSPHOR BRONZE	GOLD FLASH ON CONTACT AREA AND SOLDER TAIL, ALL OVER Ni 50u"MIN	T=0.20mm	
④ TRANSFER	⑤	PHOSPHOR BRONZE	GOLD FLASH ON CONTACT AREA AND SOLDER TAIL, ALL OVER Ni 50u"MIN	T=0.20mm	
⑤ RING B	④	PHOSPHOR BRONZE	GOLD FLASH ON CONTACT AREA, MATTE Sn 80u"MIN ON SOLDER TAIL, ALL OVER Ni 50u"MIN	T=0.20mm	
⑥ EARTH	③	PHOSPHOR BRONZE	GOLD FLASH ON CONTACT AREA, MATTE Sn 80u"MIN ON SOLDER TAIL, ALL OVER Ni 50u"MIN	T=0.20mm	
⑦ RING A	②	PHOSPHOR BRONZE	GOLD FLASH ON CONTACT AREA, MATTE Sn 80u"MIN ON SOLDER TAIL, ALL OVER Ni 50u"MIN	T=0.20mm	
⑧ TIP SPRING	①	PHOSPHOR BRONZE	GOLD FLASH ON CONTACT AREA, MATTE Sn 80u"MIN ON SOLDER TAIL, ALL OVER Ni 50u"MIN	T=0.20mm	
⑨ I/M	1	HIGH TEMP	UL94 V-0	BLACK	
⑩ HOUSING	1	HIGH TEMP	UL94 V-0	BLACK	
NO.	PART NAME	QTY	MATERIAL	DESCRIPTION	REMARK

KINY

东莞市摩凯电子有限公司

DIMENSIONS INIT: mm
UNLESS OTHERWISE SPECIFIABLE
DIMENSION TOLERANCE
X.X: ± 0.35
X.XX: ± 0.20
X.XXX: ± 0.10
ANGULAR: ± 2'

PRODUCT NAME :	PHONE JACK	DRAWING:	Alexander	DATE:	2019.03.07
PRODUCT NO. :	PJK235-D1200-01	CHECK:	Mark	DATE:	2019.03.07
DRAWING NO. :	D-PJK235-D1200-01	APPROVED:	Mark	DATE:	2019.03.07
SCALE:	1:1	DWG ID:	C D	REV.:	A
				PAGE:	1 OF 1

A	----	NEW RELEASE	Alexander	2019.03.07
REVISION NO.	ECR NO.	DESCRIPTION	MARK	DATE
1				
2				
3				