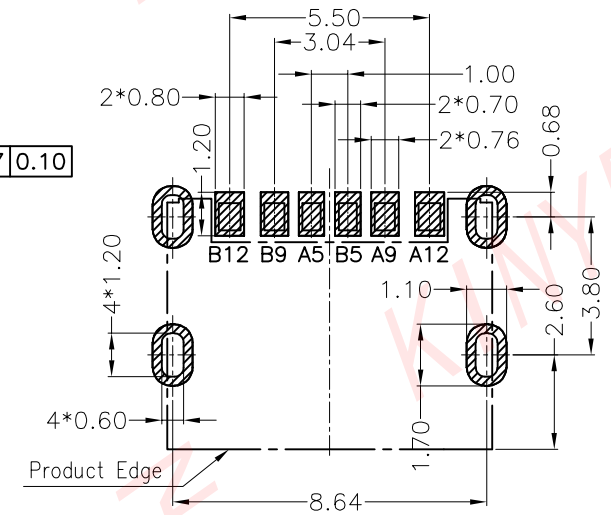
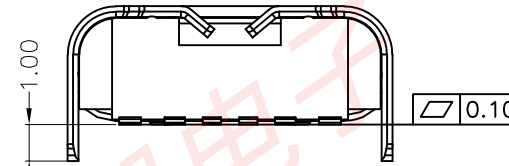
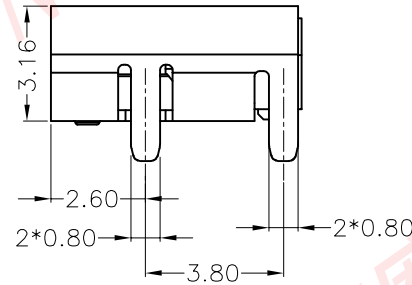
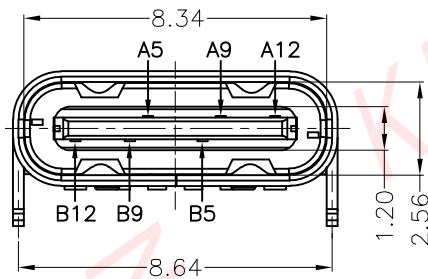
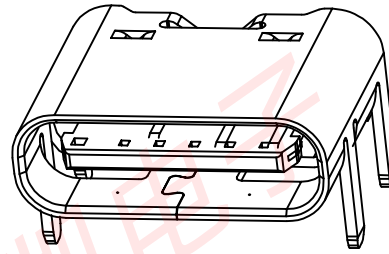
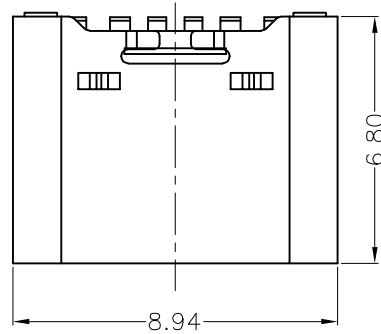


\* 所有原料材质, 生产制程, 电镀必须符合H要求

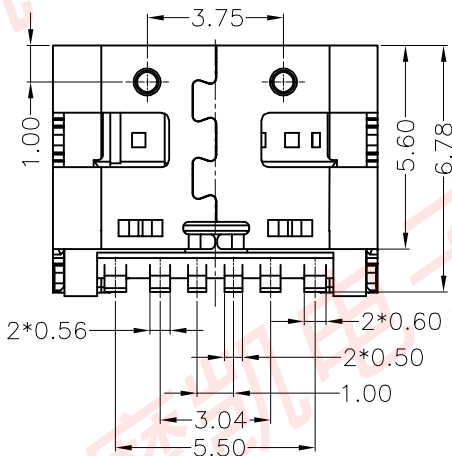
NOTES:

SPECIFICATION:

1. CURRENT RATING: 5.0A MAX
2. VOLTAGE: 100 VAC
3. TEMPERATURE RANGE: -30 °C ~ 85 °C
4. CONTACT RESISTANCE: 40 MILLIONHM MAX
5. INSULATION RESISTANCE: 100 MEGOHMS MIN.
6. INSERTION FORCE : 5N~20N
7. UNMATING FORCE: 8N~20N
8. DURABILITY: 10000 CYCLES



RECOMMENDED P.C.B. LAYOUT  
TOLERANCE UNSPECIFIED ±0.05mm



A5	CC1	B12	GND
A9	VBUS	B9	VBUS
A12	GND	B5	CC2
PIN	SIGNAL NAME	PIN	SIGNAL NAME

3	SHELL	STAINLESS STEEL	Ni:80u" Plated	1SET
2	CONTACT	COPPER ALLOY	Au1u"/Ni:50u" Plated	1SET
1	HOUSING	HIGH TEMPERATURE PLASTIC	BLACK	1PCS
NO.	DESCRIPTION	MATERIAL	REMARKS	QTY

**KINY**

东莞市摩凯电子有限公司

DIMENSIONS INIT: mm  
UNLESS OTHERWISE SPECIFIABLE

DIMENSION	TOLERANCE
X.X: ±	0.35
X.XX: ±	0.20
X.XXX: ±	0.10
ANGULAR: ±	2'

PRODUCT NAME : USB C F 6PIN脚长1.0 CONN	DRAWING: FAJI	DATE: 2021.06.24
PRODUCT NO. : TPC06-D1180-01	CHECK: Alex	DATE: 2021.06.24
DRAWING NO. : D-TPC06-D1180-01	APPROVED: Alex	DATE: 2021.06.24
SCALE: 1:1	DWG ID: C D	REV.: A
		PAGE: 1 OF 1

A	---	NEW RELEASE	FAJI	2021.06.24
REVISION NO.	ECR NO.	DESCRIPTION	MARK	DATE
1				