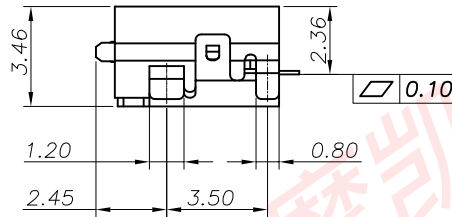
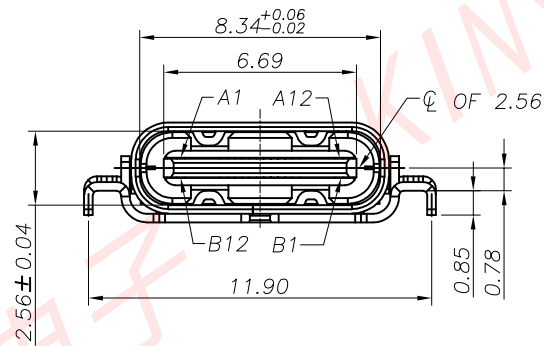
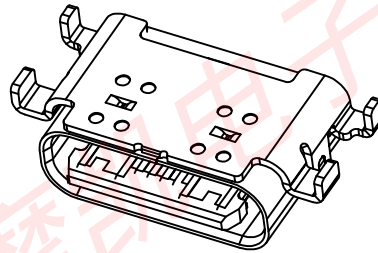
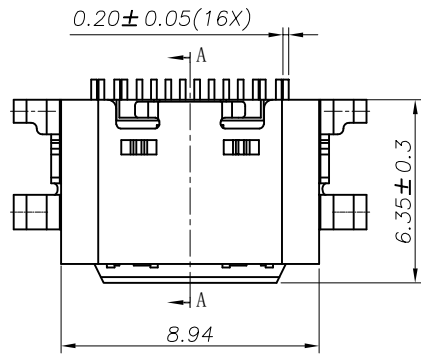


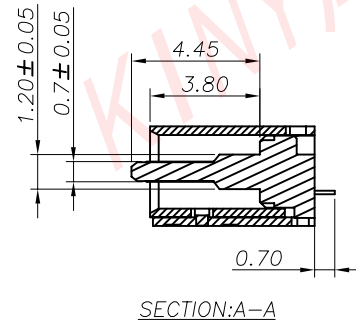
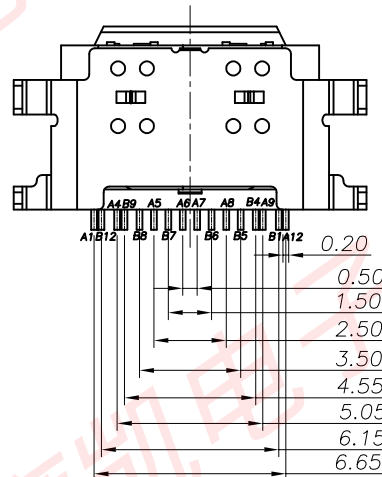
* 所有原料材质, 生产制程, 电镀必须符合H要求



NOTES:

SPECIFICATION:

1. CURRENT RATING: 5.0A MAX
2. VOLTAGE: 100 VAC
3. TEMPERATURE RANGE: -30 °C ~ 85 °C
4. CONTACT RESISTANCE: 40 MILLIONHM MAX
5. INSULATION RESISTANCE: 100 MEGOHMS MIN.
6. INSERTION FORCE : 5N~20N
7. UNMATING FORCE: 8N~20N
8. DURABILITY: 10,000 CYCLES



NO.	DESCRIPTION	MATERIAL	REMARKS	QTY
7	COVER SHELL	STAINLESS STEEL	NI Plated	1PCS
6	FRONT SHELL	STAINLESS STEEL	NI Plated	1PCS
5	SHIELDING PLATE	STAINLESS STEEL	---	1PCS
4	MD	HIGH TEMPERATURE PLASTIC	BLACK	1PCS
3	CONTACT	COPPER ALLOY	Au/Ni,TIN Plated	1SET
2	CONTACT	COPPER ALLOY	Au/Ni,TIN Plated	1SET
1	HOUSING	HIGH TEMPERATURE PLASTIC	BLACK	1PCS

KINY

东莞市摩凯电子有限公司

DIMENSIONS INIT: mm
UNLESS OTHERWISE SPECIFIABLE

DIMENSION	TOLERANCE
X.X: ±	0.35
X.XX: ±	0.20
X.XXX: ±	0.10
ANGULAR: ±	2'

PRODUCT NAME :
USB C 单排16P 沉板0.8 双壳 CONN

PRODUCT NO. :
TPC16-F1250-02

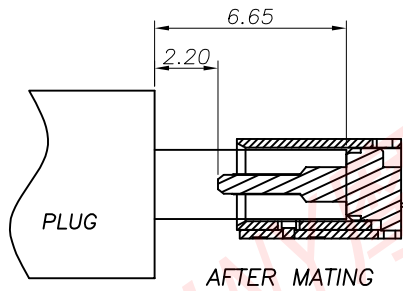
DRAWING NO. :
D-TPC16-F1250-02

DRAWING: FAJI	DATE: 2020.10.10
CHECK: Alex	DATE: 2020.10.10
APPROVED: Alex	DATE: 2020.10.10

SCALE: 1:1	DWG ID: C D	REV.: A	PAGE: 1 OF 3
------------	-------------	---------	--------------

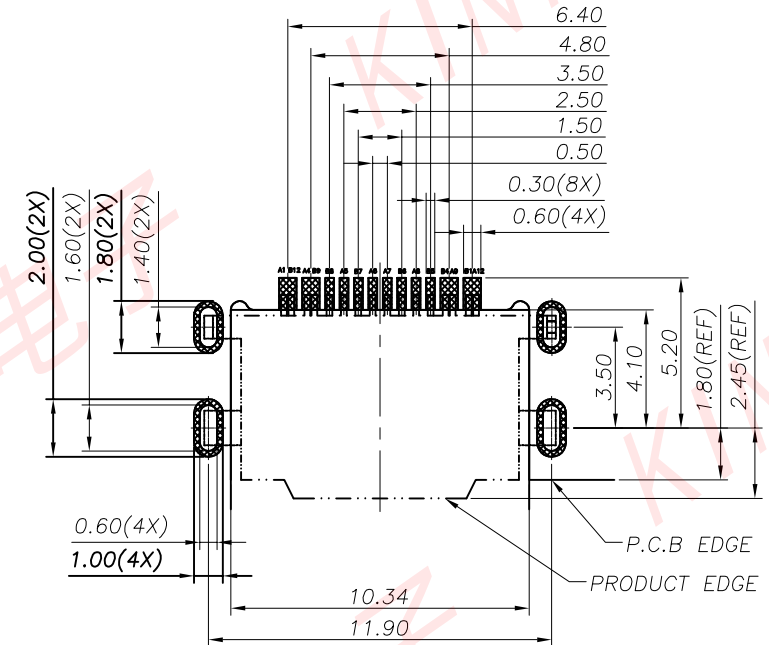
REVISION NO.	ECR NO.	DESCRIPTION	MARK	DATE
A	---	NEW RELEASE	FAJI	2020.10.10

* 所有原料材质, 生产制程, 电镀必须符合H要求



USB TYPE-C PIN ASSIGNMENTS

PIN NUMBER	SIGNAL NAME	PIN NUMBER	SIGNAL NAME
A1	GND	B12	GND
A4	VBUS	B9	VBUS
A5	CC1	B8	SBU2
A6	Dp1	B7	Dn2
A7	Dn1	B6	Dp2
A8	SBU1	B5	CC2
A9	VBUS	B4	VBUS
A12	GND	B1	GND

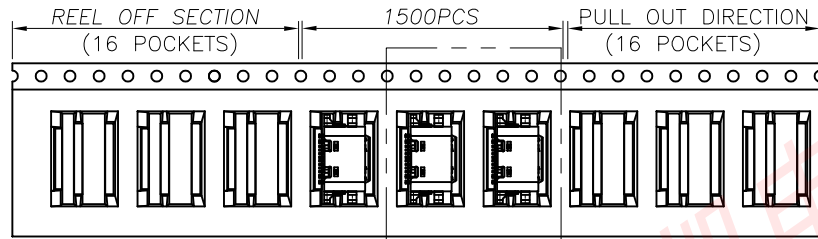


RECOMMENDED PCB LAYOUT(TOP VIEW)
THICKNESS 0.80MM;DEFAULT TOLERANCE:±0.05

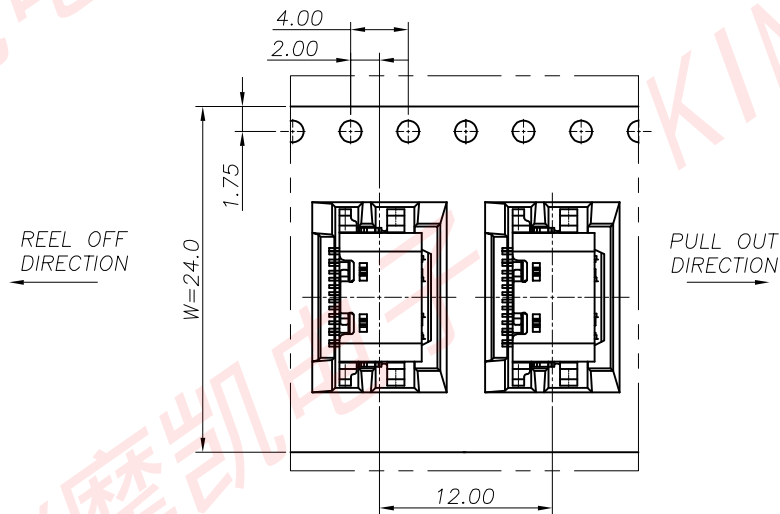
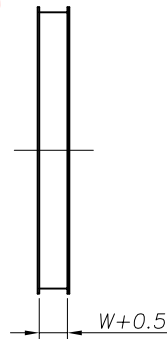
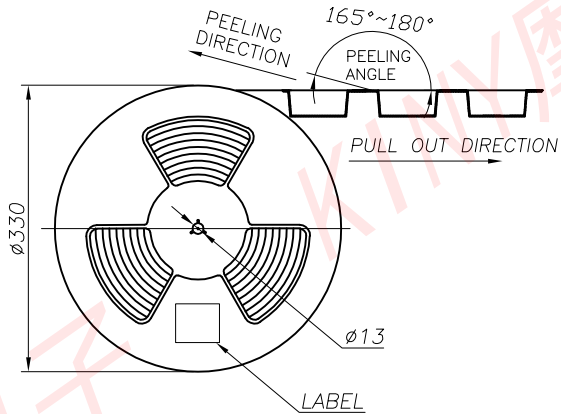
A	----	NEW RELEASE	FAJI	2020.10.10
REVISION NO.	ECR NO.	DESCRIPTION	MARK	DATE
1				

	东莞市摩凯电子有限公司			
	DIMENSIONS INIT: mm UNLESS OTHERWISE SPECIFIABLE	PRODUCT NAME : USB C F单排16P 沉板0.8 双壳 CONN	DRAWING: FAJI	DATE: 2020.10.10
	DIMENSION TOLERANCE X.X: ± 0.35 X.XX: ± 0.20 X.XXX: ± 0.10 ANGULAR: ± 2'	PRODUCT NO. : TPC16-F1250-02	CHECK: Alex	DATE: 2020.10.10
		DRAWING NO. : D-TPC16-F1250-02	APPROVED: Alex	DATE: 2020.10.10
		SCALE: 1:1	DWG ID: C D	REV.: A
				PAGE: 2 OF 3

* 所有原材料, 生产制程, 电镀必须符合H要求



SEE DETAIL X



PAPER BOARD

REEL AND TAPE

REEL AND TAPE

PAPER BOARD

FOLDER
PAPER BOARD

CARTON

	REEL	CARTON
CONNECTOR (PCS)	1500	15000

KINY

东莞市摩凯电子有限公司

DIMENSIONS INIT: mm
UNLESS OTHERWISE SPECIFIABLE

DIMENSION	TOLERANCE
X.X: ±	0.35
X.XX: ±	0.20
X.XXX: ±	0.10
ANGULAR: ±	2'

PRODUCT NAME :
USB C F单排16P 沉板0.8 双壳 CONN

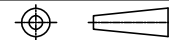
PRODUCT NO. :
TPC16-F1250-02

DRAWING NO. :
D-TPC16-F1250-02

DRAWING: FAJI
DATE: 2020.10.10

CHECK: Alex
DATE: 2020.10.10

APPROVED: Alex
DATE: 2020.10.10



SCALE: 1:1
DWG ID: C D
REV.: A
PAGE: 3 OF 3

A	---	NEW RELEASE	FAJI	2020.10.10
REVISION NO.	ECR NO.	DESCRIPTION	MARK	DATE
1				