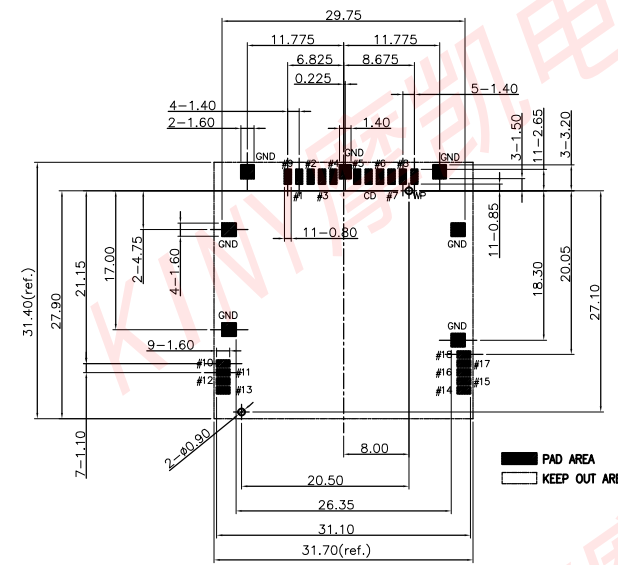
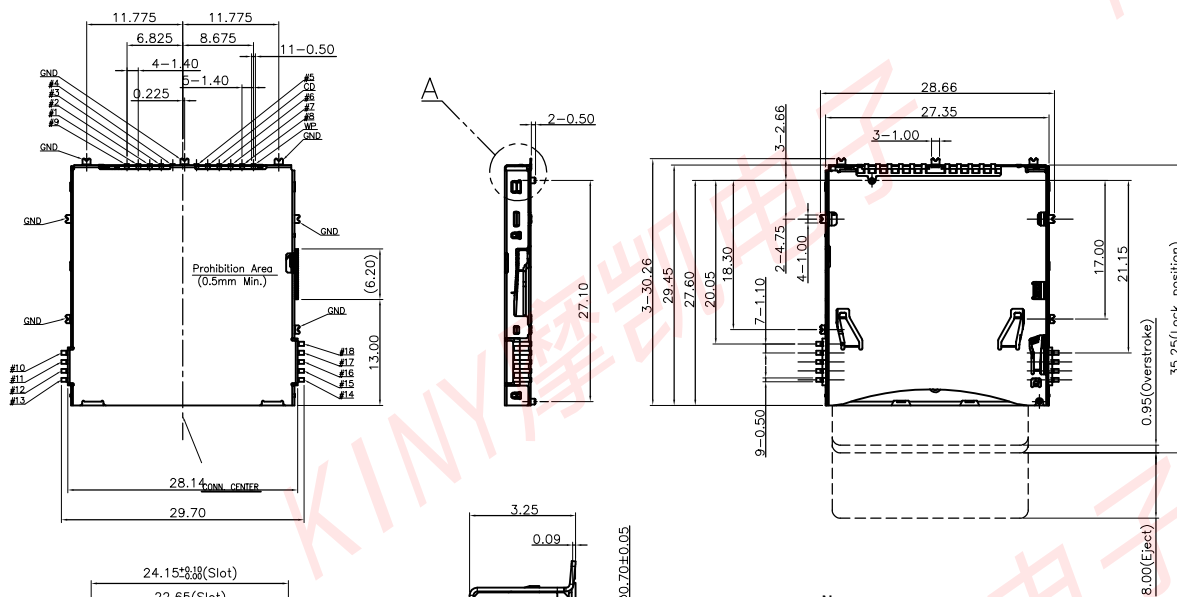


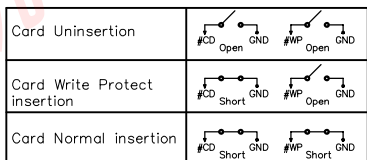
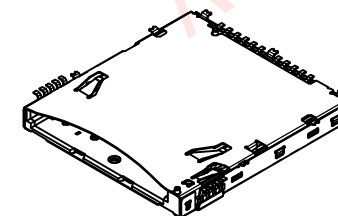
* 所有原料材质, 生产制程, 电镀必须符合HTR要求



RECOMMENDED PCB LAYOUT (TOP VIEW)
TOLERANCE UNLESS OTHERWISE SPEC ±0.05

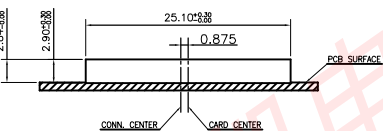
Note:

- Material:
 - 1-1. Plastic: HEAT RESISTANCE LCP, Black, HF, UL94V-0
 - 1-2. Contact: Copper Alloy
 - 1-3. Shell: Stainless Steel
- Plating:
 - 2-1. Contact:
 - Contact Area: Au 1μ" min. Plating Over Ni 50μ" min.
 - Soldertile: Gold Flash Plating Over Ni 50μ" min.
 - 2-2. Shell:
 - Solderable Ni 50μ" min. Over All
- Contact And Soldertile Coplanarity to be 0.10mm max.
- Electrical Characteristics:
 - 4-1. Contact Current Rating: 0.5Amperes.
 - 4-2. Dielectric Withstanding Voltage: AC500V r.m.s.
 - 4-3. Insulation Resistance: 1000 Megohms
 - 4-4. Contact Resistance: 100 Miliohms Maximum.
- Environmental:
 - 5-1. Operating Temperature: -25° C to +85° C.
 - 5-2. Salty spray: 48H



Pin Assignment

Pin #	SD Mode	UHS II Mod	SD Express	Pin #	SD Mode	UHS II Mod	SD Express	Card
#1	CD/DAT3		PERST#	#11			DO+	PCle_Tx+
#2	CMD			#12			DO-	PCle_Tx-
#3	VSS1	VSS1	VSS1	#13			VSS4	VSS4
#4	VDD	VDD1	VDD1	#14			VDD2	VDD2
#5	CLK			#15			D1-	PCle_Rx-
#6	VSS2	VSS2	VSS2	#16			D1+	PCle_Rx+
#7	DAT0	RCLK+	REFCLK+	#17			VSS5	VSS5
#8	DAT1	RCLK-	REFCLK-	#18			VDD3	VDD3
#9	DAT2		CLKREQ#	CD				Card Detect
#10		VSS3	VSS3	WP				Write Protect



RECOMMENDED ID DIMENSION

X0	----	NEW RELEASE	Alexander	2022.04.11
REVISION NO.	ECR NO.	DESCRIPTION	MARK	DATE

东莞市摩凯电子有限公司

DIMENSIONS INIT: mm UNLESS OTHERWISE SPECIFIABLE		PRODUCT NAME : SD7.0 Bottom H3.25 Push-Push	DRAWING: Alexander	DATE: 2022.04.11
DIMENSION TOLERANCE		PRODUCT NO. : SD325-T1150-01	CHECK:	DATE:
X.X: ± 0.35	X.XX: ± 0.20	DRAWING NO. : D-SD325-T1150-01	APPROVED:	DATE:
X.XXX: ± 0.10	ANGULAR: ± 2'	SCALE: 1:1		DWG ID: C D
		REV.: X0		PAGE: 1 OF 1