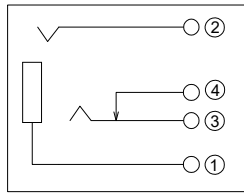
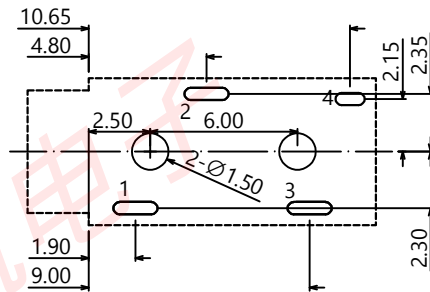
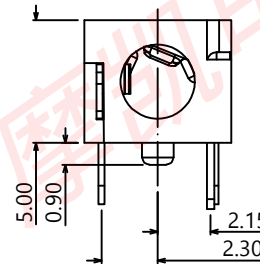
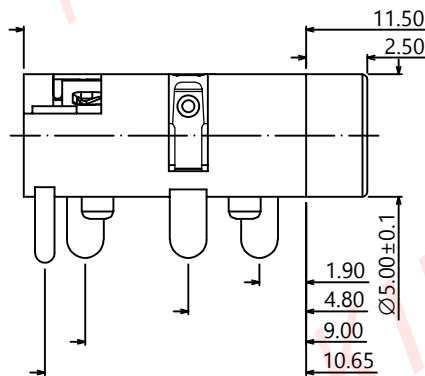
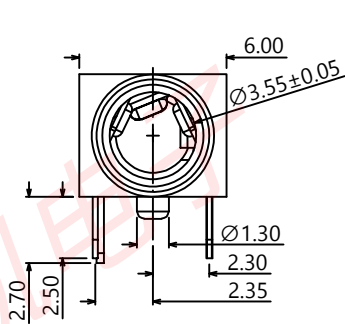
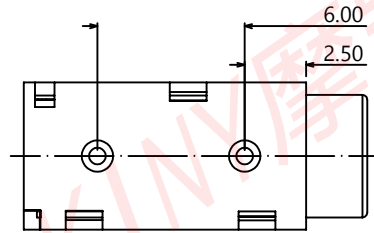
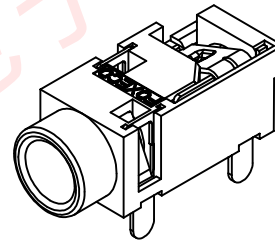


\* 所有原料材质, 生产制程, 电镀必须符合IP要求



**SCHEMATIC**



**P.C.B LAYOUT**

**NOTE:**

**1.ELECTRICAL CHARACTERISTICS:**

- 1.1 RATINGS:DC30V 1A
- 1.2 CONTACT RESISTANCE:50mΩ MAX
- 1.3 INSULATION RESISTANCE:100MΩ MIN
- 1.4 WITHSTAND VOLTAGE:AC 500V /1 Minute
- 1.5 WORKING TEMPERATURE:-25~+85°C
- 1.6 SOLDER HEAT RESISTANCE:260±5°C

**2.MECHANICAL CHARACTERISTICS:**

- 2.1 OPERATING FORCE:3~30N
- 2.2 SERVICE LIFE:5,000 Cycle.

3	TERMINAL2	1	BRASS	PLATING SILVER
2	TERMINAL1	3	PHOSPHOR(CU)	PLATING SILVER
1	HOUSING	1	PPA	
NO.	DESCRIPTION	QTY	MATERIAL	PLATING

**KINY**

**东莞市摩凯电子有限公司**

DIMENSIONS INIT: mm  
UNLESS OTHERWISE SPECIFIABLE  
DIMENSION TOLERANCE  
X.X: ± 0.35  
X.XX: ± 0.20  
X.XXX: ± 0.10  
ANGULAR: ± 2'

PRODUCT NAME : PHONE JACK	DRAWING: Alexander	DATE: 2019.03.07
PRODUCT NO. : PJK500-D9000-01	CHECK: Mark	DATE: 2019.03.07
DRAWING NO. : D-PJK500-D9000-01	APPROVED: Mark	DATE: 2019.03.07
SCALE: 1:1	DWG ID: C D	REV.: A
		PAGE: 1 OF 1

A	----	NEW RELEASE	Alexander	2019.03.07
REVISION NO.	ECR NO.	DESCRIPTION	MARK	DATE
1				