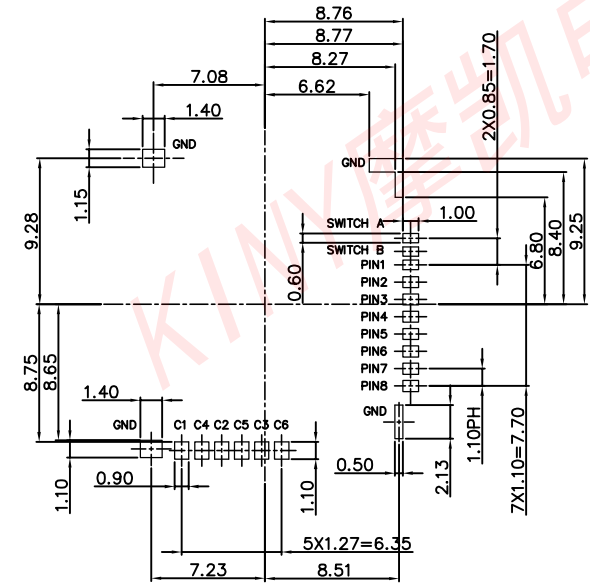
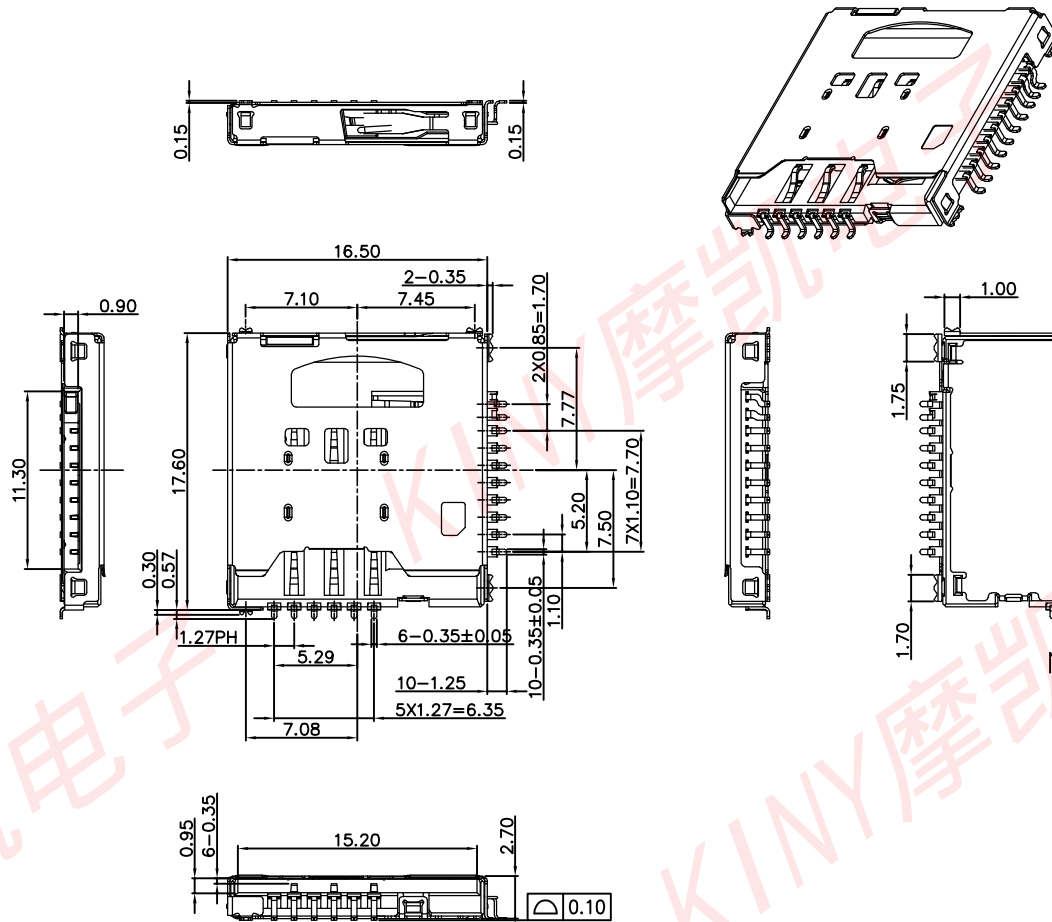


\* 所有原料材质, 生产制程, 电镀必须符合HTR要求



RECOMMENDER PCB LAYOUT  
TOLERANCE UNLESS OTHERWISE IS ±0.05

Notes:

1.MATERIAL

- 1.1 Housing:LCP UL 94V-0 Black.
- 1.2 Contacts:PHOSPHOR BRONZE(C5210R-EH)
- 1.3 Shell:SUS304

2.Plating:

- 2.1 Contacts:50u" MIN NICKEL UNDERPLATED, 100u" MIN Sn PLATED SOLDER TAILS.1U" MIN GOLD PLATED CONTACT AREA
- 2.2 Shell:Gold flash on soldertall area.  
50u" MIN NICKEL over ALL

3.ELECTRICAL CHARACTERISTICS:

- 3.1 Operation voltage: 100 V AC max.
- 3.2 Current rating : 0.5 Amps max.
- 3.3 Contact resistance: 40m ohms max.
- 3.4 Insulation resistance: 1000M ohms min. 500 VDC
- 3.5 Dielectric withstanding voltage: 500 VAC / 1minute
- 3.6 Operating Temperature: -25°C to +85°C

T-FLASH CARD				SIM CAR	
pin No	NAME	TYPE	DESCRIPTION	pin No	NAME
1	DAT2	I/O/PP	Date Line[bit2]	C1	VCC
2	CD/DAT3	I/O/PP	Card Detect Date Line[bit3]	C2	RST
3	CMD	PP	Commend Response	C3	CLK
4	VDD	S	Supply Voltage	C4	GND
5	CLK	I	Clock	C5	VPP
6	VSS	S	Supply Voltage Ground	C6	I/O
7	DATO	I/O/PP	Date Line[bit0]		
8	PAT1	I/O/PP	Date Line[bit0]		

A	---	NEW RELEASE	Faji	2020.04.29
REVISION NO.	ECR NO.	DESCRIPTION	MARK	DATE
1				

	<h2>东莞市摩凯电子有限公司</h2>				
	DIMENSIONS INIT: mm	PRODUCT NAME : TF PUSH+SIM CARD	DRAWING: Faji	DATE: 2020.04.29	
	UNLESS OTHERWISE SPECIFIABLE	PRODUCT NO. : TS280-T1251-01-W	CHECK: Alex	DATE: 2020.04.29	
	DIMENSION TOLERANCE	DRAWING NO. : D-TS280-T1251-01-W	APPROVED: Alex	DATE: 2020.04.29	
X.X: ± 0.35 X.XX: ± 0.25 X.XXX: ± 0.10 ANGULAR: ± 2'		SCALE: 1:1	DWG ID: C D	REV.: A	PAGE: 1 of 1