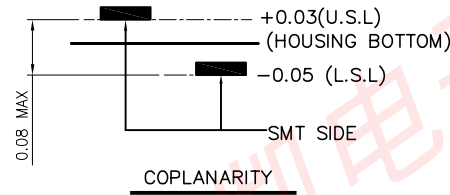


PIN No.	DESCRIPTION
PIN 1	VCC (SUPPLY VOLTAGE)
PIN 2	RST (RESET SIGNAL)
PIN 3	CLK (CLOCK SIGNAL)
PIN 5	GND
PIN 6	VPP (VARIABLE SUPPLY VOLTAGE)
PIN 7	I/O (DATA INPUT/OUTPUT)

* 所有原料材质, 生产制程, 电镀必须符合HTR要求



NO PATTERN AREA
ALL SOCKET SPACES (HATCHING AREA)
WITHOUT SOLDER PATTERN

Specification

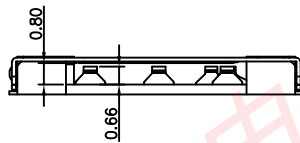
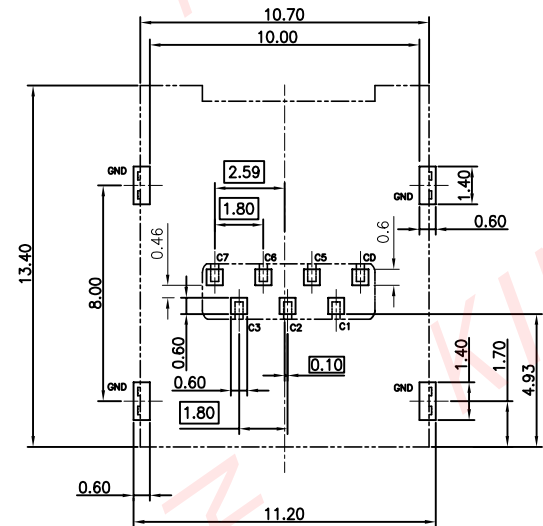
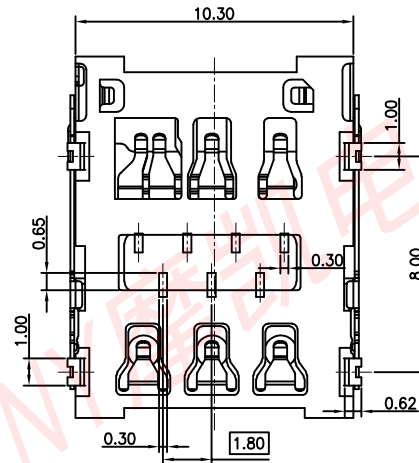
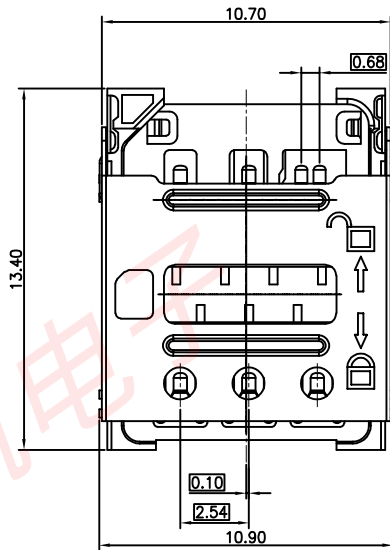
*Electrical Characteristics:

Contact Current Rating: 0.5 Amperes.
Dielectric Withstanding Voltage: 1000 V.m.s.
Insulation Resistance: 500 MΩ Minimum.
Contact Resistance: 30 mΩ Maximum.

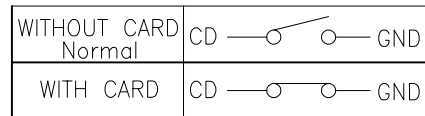
*Environmental:

Operating Temperature: 0°C ~ + 85°C.

PART No.:



Circuit Diagram For Switch



③	TERMINAL & PEG	1 SET	C5191-EH, T=0.12	Au 1u" PLATING ON CONTACT AREA
②	BASE INSULATOR	1	LCP+GF30%	BLACK
①	SHELL	1	SUS304-H, T=0.15	NA
NO.	PART NAME	Q'TY	DESCRIPTION	NOTE

KINNY

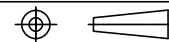
东莞市摩凯电子有限公司

DIMENSIONS INIT: mm
UNLESS OTHERWISE SPECIFIABLE
DIMENSION TOLERANCE
X.X: ± 0.35
X.XX: ± 0.20
X.XXX: ± 0.10
ANGULAR: ± 2'

PRODUCT NAME :
6Pin 1.4H HINGE NANO SIM CARD CONN.

PRODUCT NO. :
NS140-T1100-01-W

DRAWING NO. :
D-NS140-T1100-01-W



DRAWING:
Janyz

CHECK:
Alex

APPROVED:
Alex

SCALE:
1:1

DATE:
2017.06.06

DATE:
2017.06.06

DATE:
2017.06.06

PAGE:
1 OF 1

REVISION NO.	ECR NO.	DESCRIPTION	MARK	DATE
1		NEW RELEASE	janyz	2017.06.06

4

5

6