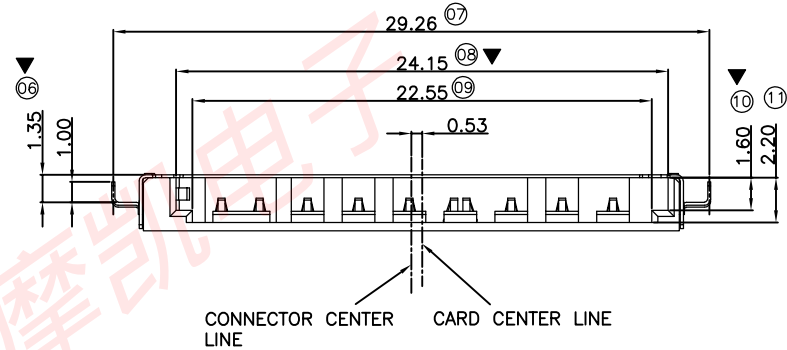
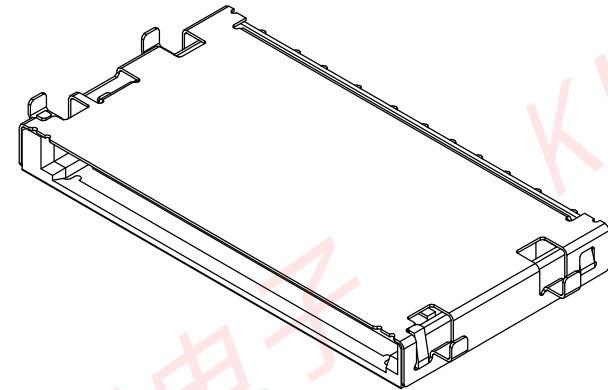
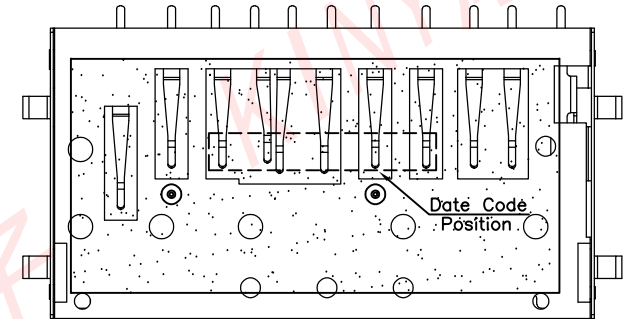
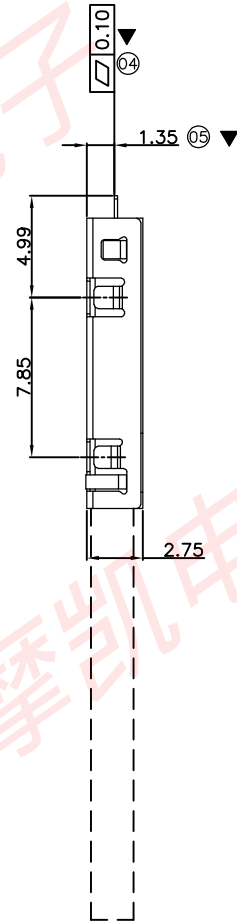
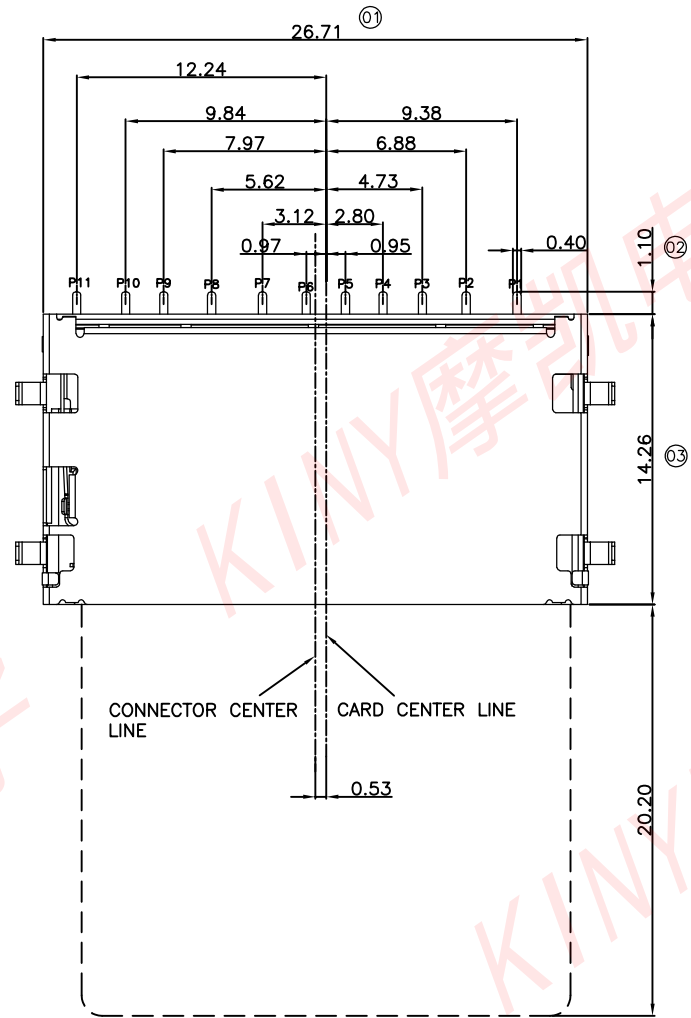


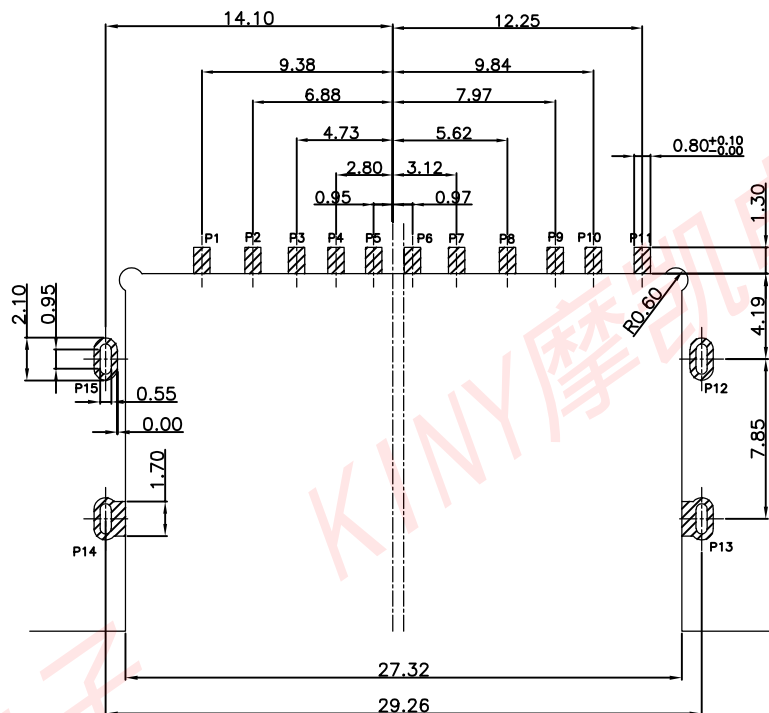
* 所有原料材质, 生产制程, 电镀必须符合H要求



| | | | | |
|--------------|---------|-------------|------|------------|
| A | --- | NEW RELEASE | PING | 2016.12.25 |
| REVISION NO. | ECR NO. | DESCRIPTION | MARK | DATE |
| 1 | | | | |

| | | | | |
|--|--|---------------------------------------|---------------------|--|
| | 东莞市摩凯电子有限公司 | | | |
| | DIMENSIONS INIT: mm UNLESS OTHERWISE SPECIFIABLE | PRODUCT NAME : SDE-B N/P 短型沉板 1.35 | DRAWING: PING | DATE: 2016.12.25 |
| | DIMENSION TOLERANCE X.X: ± 0.38 X.XX: ± 0.25 X.XXX: ± 0.10 ANGULAR: ± 3° | PRODUCT NO. : SDE-D1250-11 | CHECK: Alex | DATE: 2016.12.25 |
| | DRAWING NO. : D-SDE-D1250-11 | APPROVED: Alex | DATE: 2016.12.25 | SCALE: 1:1 DWG ID: C D REV.: A PAGE: 1 OF 2 |

* 所有原料材质, 生产制程, 电镀必须符合HTR要求



RECOMMEND P.C.B LAYOUT
TOLERANCE ±0.05



PAD



No trace, no test point,
no via hole, no ground area

| WITHOUT CARD | CARD INSERTED:LOCK | CARD INSERTED:UNLOCK |
|-----------------|--------------------|----------------------|
| W/P GND | W/P GND | W/P GND |
| C/D VSS1 P3 | C/D VSS1 P3 | C/D VSS1 P3 |

Pin Define

| Connector Pin No. | SD Card Pin No. | Pin Define |
|-------------------|-----------------|------------|
| P1 | P9 | DAT2 |
| P2 | P1 | DAT3 |
| P3 | P2 | CMD |
| P4 | | CD |
| P5 | P3 | VSS1 |
| P6 | P4 | VDD |
| P7 | P5 | CLK |
| P8 | P6 | VSS2 |
| P9 | P7 | DAT0 |
| P10 | P8 | DAT1 |
| P11 | | W/P |
| P12~P15 | | GND |

Specification

*Electrical Characteristics:
Contact Current Rating:0.5 Amperes.
Dielectric Withstanding Voltage:AC500V r.m.s.
Insulation Resistance:1000 MΩ Minimum.
Contact Resistance:100 mΩ Maximum.

*Environmental:
Operating Temperature:-25°C~+85°C.

*Mechanical Characteristics:
Mating Cycles:10,000 Cycles Insertion/Extraction
Card Push Insertion/Out Force:1kgf Maximum.
Contact Retention Force:0.15kgf Minimum.

*Material:
Insulator:HI-Temp Plastic UL 94V-0 Rated.
Contact:Copper Alloy.
Shell:Stainless Steel.

SDE-D1250-11

系列码
SDE:SD CARD
脚型码
D:DIP

流水码
外壳电镀码
00:素材
50:镀镍50u"
端子电镀码
12:端子Au 1u"(G/F)/雾锡
62:端子Au 30u"/雾锡



东莞市摩凯电子有限公司

| | | | |
|---|---------------------------------------|-------------------|---------------------|
| DIMENSIONS INIT: mm UNLESS OTHERWISE SPECIFIABLE DIMENSION TOLERANCE X.X: ± 0.38 X.XX: ± 0.25 X.XXX: ± 0.10 ANGULAR: ± 3' | PRODUCT NAME : SDE-B N/P 短型沉板 1.35 | DRAWING: PING | DATE: 2016.12.25 |
| | PRODUCT NO. : SDE-D1250-11 | CHECK: Alex | DATE: 2016.12.25 |
| | DRAWING NO. : D-SDE-D1250-11 | APPROVED: Alex | DATE: 2016.12.25 |
| | SCALE: 1:1 DWG ID: C D | | REV.: A |

| | | | | |
|--------------|---------|-------------|------|------------|
| A | ----- | NEW RELEASE | ping | 2016.12.25 |
| REVISION NO. | ECR NO. | DESCRIPTION | MARK | DATE |
| 1 | | 2 | 3 | 4 |